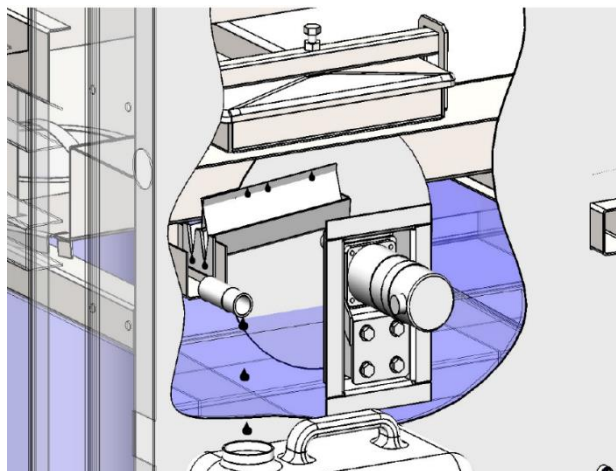


## Oil skimmer OS-3S



Oil will collect from the fluid surface on the rotating disc of the oil skimmer.

Controlled by a weekly timer, the oil separator disc removes the oil separated on the liquid surface while the cleaning machine is off.

A recommendation for the operation period is approximately 0.5 - 1.5 hours night time before the heating is switched on.

The oil flows into a drip container (the drip container is not included in the price).

Can be installed later.  
Really recommended.

The oil skimmer consists of a stainless disc, gear motor, scraper and a discharge.

### Technical data:

1 pc gear motor	
Model	Rotex
Speed of rotation	4 r/min
Motor	0,04 kW