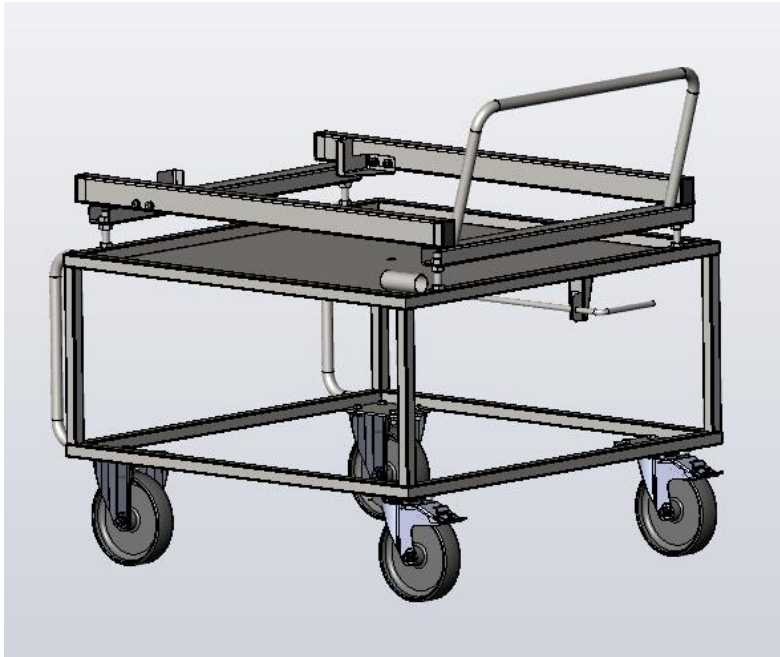


Load Trolley LT



The load trolley is used for carrying articles to and from the cleaning machine with a pneumatic lifting door.

The load trolley is equipped with rails for the load carriage and a locking lever by which the load trolley is locked in the cleaning machine. The rails supporting the load carriage have to be adjusted so that they are at the same height as those in the cleaning machine.

The load trolley is furnished with a drip tray which can be drained.

Available for model sizes: C-800SS-PD1 ... C-2000SS-PD1

Material: AISI