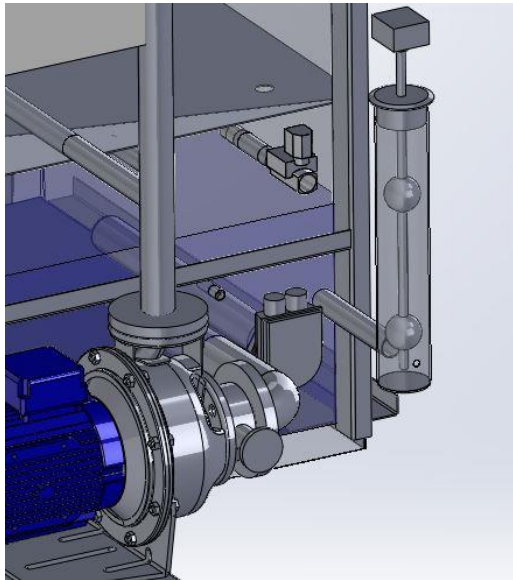


## Automatic water refill AR-2

## Overflow safety device EC-2



Level 4

Level 3

Level 2

Level 1

The device for automatic water refill maintains a constant fluid level in the tank.

The device consists of

- solenoid valve connected to the water supply
- level guard.

**Level 1**      **Low level** (All models).

When the fluid surface falls below this level 1 the pump and heating will be cut off after a period of 10 secs.

**Level 2**      **Automatic refill** (AR-2).

When the fluid falls below level 2 the solenoid valve 1 opens and water refill starts. When the fluid reaches the level 3 the magnetic valve will close. (Time delay = 5 secs.)

**Level 3**      **Overflow protection** (EC-2).

A safety device for the automatic fluid refill, which prevents the bath flooding. Solenoid valve 2 will be closed when upper ball will reach the level 4. Double protection.

Technical data:

3-level fluid guard

Material

AISI 304

Solenoid valve

DN 20

Material

Brass